

TOP VIEW

CAUTION:

Electrical and plumbing connections must be made by a qualified Service Person who will comply with all available federal, state, and local Health, Electrical, Plumbing, and Safety codes.

* Manufacturer reserves the right to modify these specifications in compliance with regulatory agencies and manufacturing expediency.

NOTE:

All dimensions listed have a tolerance of + or - 1/8" unless otherwise noted.



American Dish Service

Manufacturers of Ware Washing Equipment

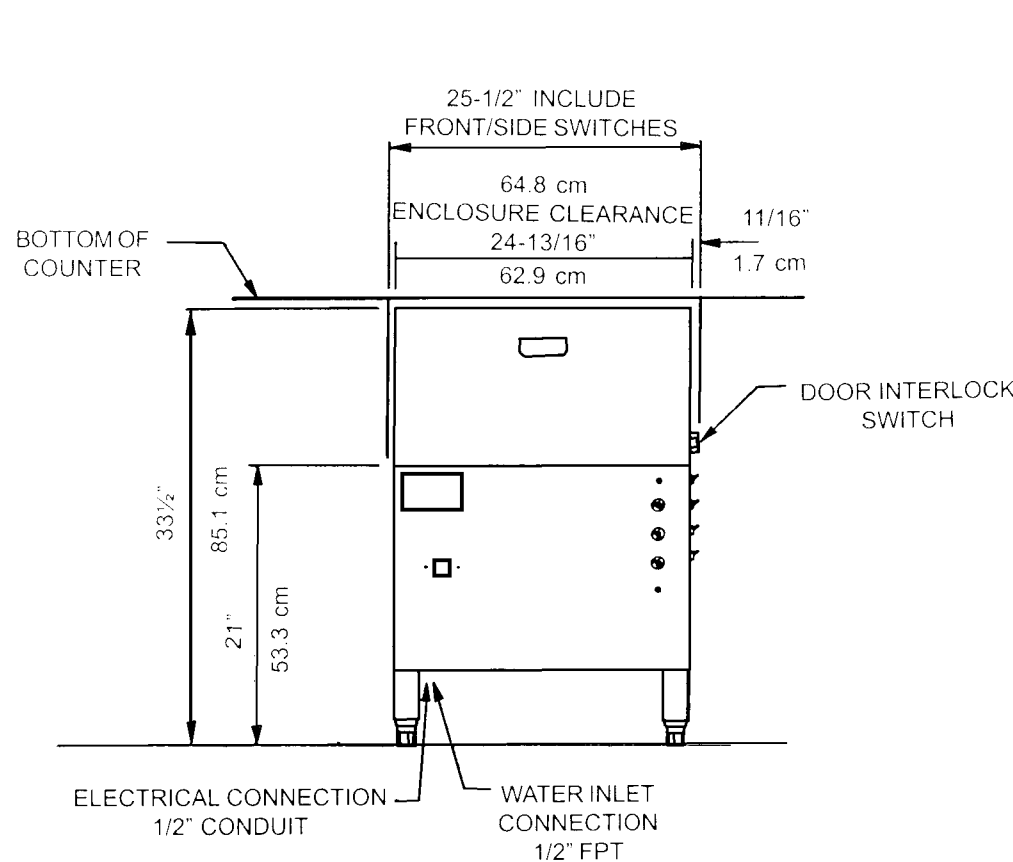
WWW.AMERICANDISH.COM

ET Series Specifications

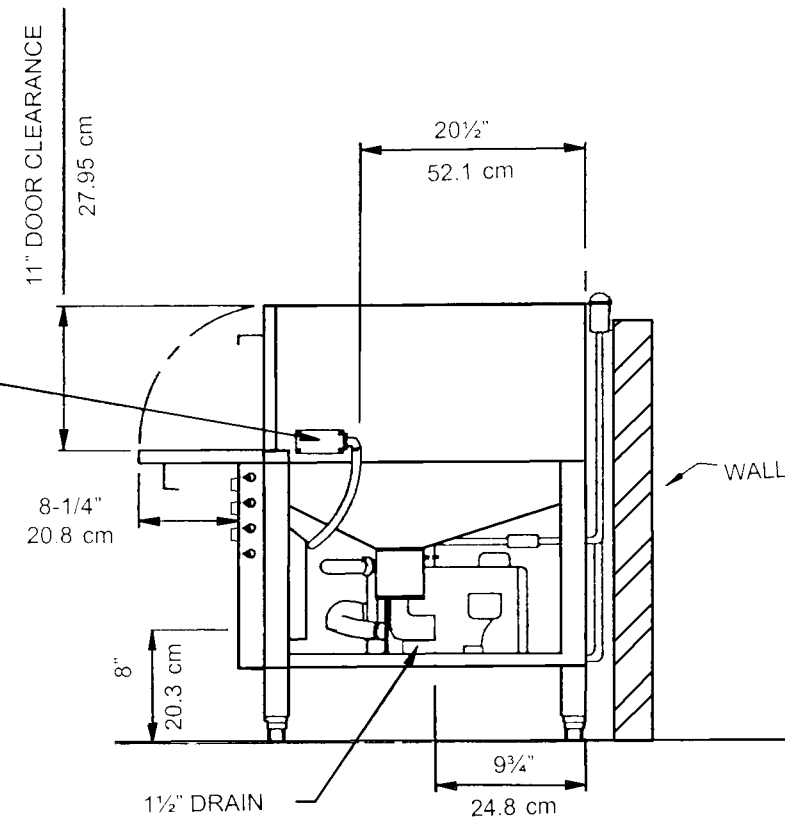
ET-AF

FAMILY MODELS

| | ET-AF | ET-A | ET-AH |
|---------------------------------|-------|------|-------|
| NSF RATED CAPACITY (RACKS/HOUR) | 30 | 24 | 20 |
| WASH TIME (IN SECONDS) | 45 | 60 | 75 |
| RINSE TIME (IN SECONDS) | 30 | 45 | 60 |
| DWELL (IN SECONDS) | 15 | 15 | 15 |
| TOTAL CYCLE TIME (IN SECONDS) | 90 | 120 | 150 |



FRONT VIEW



SIDE VIEW

WATER TEMPERATURE OF SUPPLY WATER (NSF) **120° F. MINIMUM**
(49° CELSIUS)

WATER CONSUMPTION (NSF RATED) . **1.7 GALS. PER CYCLE**
Or **6.4 liters/cycle**

MOTOR RATING **(1.125 KW) 1.5 HORSEPOWER**

ELECTRICAL RATING (NEC) **115 Vac, 20amp breaker, 50/60Hz, 1 phase**

Connect to Supply Source using 10-12 AWG
Copper wires using non-time delay fuse of 20
amp rating or 20 amp circuit breaker.

RACK SIZE . . . **STANDARD 19.75" X 19.75" (Or 50.2 X 50.2 cm)**

DOOR CLEARANCE* . **11" TALL X 22.25" WIDE (Or 27.9 x 56.5 cm)**

WATER INLET **(1/2") F.P.T.**

DRAIN SIZE **(1-1/2") F.P.T.**

HEIGHT OF STANDARD ET (ADJUSTER FEET WILL GIVE) **MIN: 33.5" - MAX:34.5"**
(85.1 to 87.6 cm)

HEIGHT OF ET-AF-3 **MIN: 36.5" - MAX:37.5"** (92.7 to 95.2 cm)

WIDTH (OVERALL) **25.5"** (64.8 cm)

DEPTH (OVERALL) **29"** (73.6 cm)

SHIPPING WEIGHT **201 POUNDS** (91.2 kg)

SHIPPING VOLUME (CRATED) **28.6 CU. FT.** (.8 cu meters)

*Also available in a 3" Taller Version with
14" x 22.25" (35.8 x 57 cm) door clearance.
Model ET-AF-3